



PRESSURE VACUUM VENTS

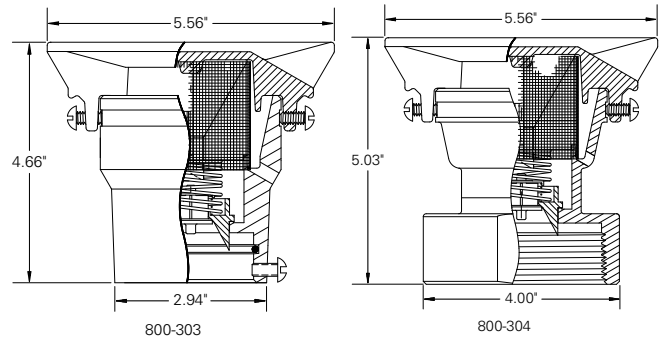
EBW pressure vacuum vents are used on underground storage tanks with a throughput of less than 100K gal/month and aboveground storage tank vent pipes to discharge vapors upward into the atmosphere. The top casting is dome-shaped to quickly drain off moisture including rain, snow, and ice. Body and cover are cast aluminum. 2" and 3" models have vent rates of 8000 cubic feet per hour, and vent at 13.8 in WC of pressure and 0.8 in WC of vacuum.

HIGHLIGHTS

- Two model types available, NPT/BSPT threads or O-ring with locking screw.
- NFPA 30.

MATERIALS

- Body: aluminum.
- Poppet: acetal.
- Spring: stainless steel.
- Screws: zinc-plated steel.
- Screen: brass.



Model	Size		Installation	Weight	
	In	mm		Lbs	Kg
80230301	2.00	51.00	NPT threaded	1.88	0.85
80230302	2.00	51.00	O-ring seal	1.84	0.83
80230321	2.00	51.00	BSPT threaded	1.88	0.85
80230405	3.00	76.00	NPT threaded	2.44	1.11
80230406	3.00	76.00	O-ring seal	2.40	1.08

شرکت فنی مهندسی کنترل تک فعال در زمینه ی فروش ، مشاوره فنی رایگان و آموزش ابزار دقیق

Controltak@Gmail.com

WWW.CONTROLTAK.COM

@ControlTak تلگرام

اینستاگرام Control-Tak

02166479486

تماس : 09190345384

ABOVEGROUND EMERGENCY VENTS

803 aboveground emergency vents are designed to work in conjunction with 802 pressure vacuum vents to prevent an aboveground storage tank from becoming over-pressurized in the event of a fire or blockage. When the aboveground tank reaches a determined pressure, the cast iron lid will raise up to allow the pressure to release. When the pressure releases, the cast iron cover will lower and reset. The sturdy cast iron body and lid, along with the fluorocarbon O-ring, provide a tight seal when closed. Aboveground tank vents are designed to open at 8.0 ounces of pressure.

HIGHLIGHTS

- Several sizes and styles available, 4" and 6" male and female models.
- Fluorocarbon O-ring seal.

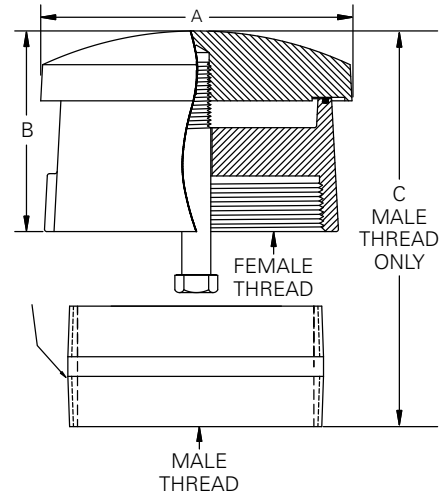
MATERIALS

- Body: cast iron.
- Lid: cast iron.

Model	A		B		C		Thread
	In	mm	In	mm	In	mm	
80320001	6.00	154.80	4.50	115.14			4" NPT
80320501	8.06	204.73	5.19	131.95			6" NPT
80330801	10.50	268.17	5.50	141.94			8" NPT

Model	Size		Connection	Weight	
	In	mm		Lbs	Kg
80320001	4.00	102.00	Female	14.00	6.35
80320501	6.00	152.00	Female	30.00	13.60
80330801	8.00	203.00	Female	40.20	18.23

Vent Size		@ 2.5 PSI = SCFH
In	mm	
4.00	102.00	96,000 SCFH
6.00	152.00	233,000 SCFH
8.00	203.00	411,000 SCFH



Note: Pipe nipple shown for male thread models only.

شرکت فنی مهندسی کنترل تک فعال در زمینه ی فروش ، مشاوره فنی رایگان و آموزش ابزار دقیق

Controltak@Gmail.com

WWW.CONTROLTAK.COM

@ControlTak تلگرام

اینستاگرام Control-Tak

تماس : 02166479486

09190345384

